

Light Duty Portable Guns

PW's Light Duty guns are ideal for lower use applications such as prototyping and light production.

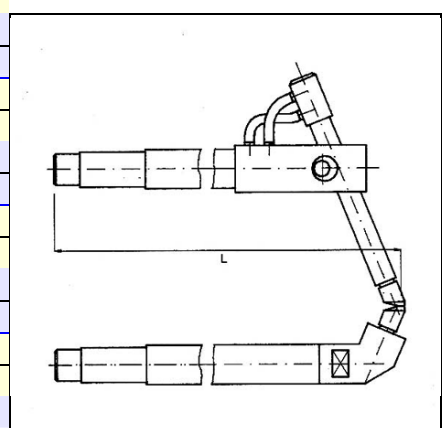
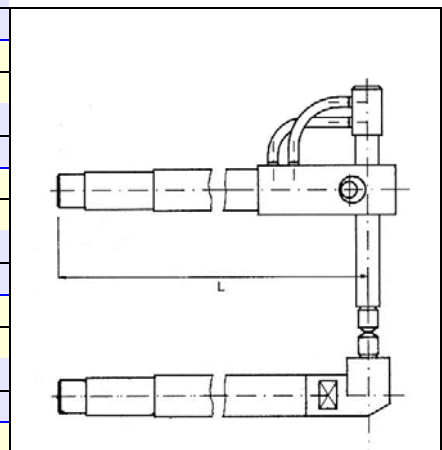
EMEPI-4	4kVA light duty Scissor Gun
CRLMK8/1	Mark 8 Weld Control to suit above
EMEPI-8	8kVA light duty Scissor Gun
CRLMK8/2	Mark 8 Weld Control to suit above
EMEPI-15	15kVA light duty Scissor Gun
CRLMK8/3	Mark 8 Weld Control to suit above
EMEPI-C15	15kVA light duty Scissor Gun - Drop Lug
CRLMK8/4	Mark 8 Weld Control to suit above
EMEPI-23	23kVA light duty Scissor Gun
CRLMK8/4	Mark 8 Weld Control to suit above
EMEPI-C23	23kVA light duty Scissor Gun - Drop Lug
CRLMK8/4	Mark 8 Weld Control to suit above



Weld Gun Standard Arms for above

25mm dia * 32mm dia.**

100200		100mm 90 deg stem straight arm
100210		100mm 90 deg holder straight arm
100202	100230	200mm 90 deg stem straight arm
100212	100240	200mm 90 deg holder straight arm
100204	100232	300mm 90 deg stem straight arm
100214	100242	300mm 90 deg holder straight arm
100206	100234	400mm 90 deg stem straight arm
100216	100244	400mm 90 deg holder straight arm
100208	100236	500mm 90 deg stem straight arm
100218	100246	500mm 90 deg holder straight arm
	100238	600mm 90 deg stem straight arm
	100248	600mm 90 deg holder straight arm
	100250	700mm 90 deg stem straight arm
	100252	700mm 90 deg holder straight arm
	100254	800mm 90 deg stem straight arm
	100256	800mm 90 deg holder straight arm
100201		150mm angled stem straight arm
100211		150mm angled holder straight arm
100203	100231	200mm angled stem straight arm
100213	100241	200mm angled holder straight arm
100205	100233	300mm angled stem straight arm
100215	100243	300mm angled holder straight arm
100207	100235	400mm angled stem straight arm
100217	100245	400mm angled holder straight arm
100209	100237	500mm angled stem straight arm
100219	100247	500mm angled holder straight arm
	100239	600mm angled stem straight arm
	100249	600mm angled holder straight arm
	100251	700mm angled stem straight arm
	100253	700mm angled holder straight arm
	100257	800mm angled stem straight arm
	100259	800mm angled holder straight arm



25mm arms for 4kVA and 8kVA units.

32mm arms for 15kVA and 23kVA 40mm diameter arms for the 23kVA gun are available if required.