

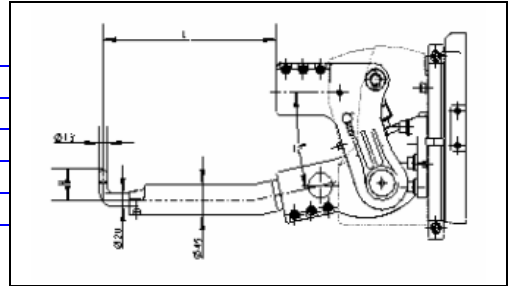
Electrode Arms

Standard Arms for "400 Series" Scissor Guns – 150/200 centres

The arms shown on these pages are only a guide to the most common standards. Hundreds of other designs are available. Contact our sales office, who will be able to give you full details.

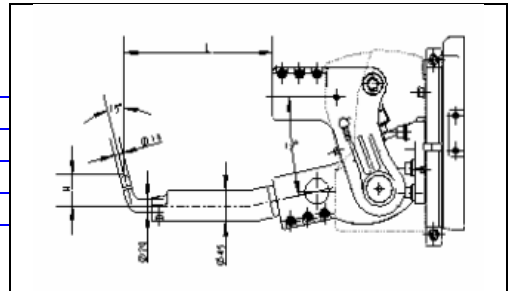
Straight Arms with 90° holders and electrode tip

	Length
PWA25100	250
PWA25101	300
PWA25102	400
PWA25103	500
PWA25104	600



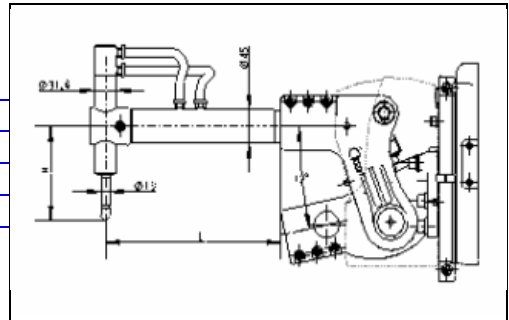
Straight Arms with 15° angled holders

PWA25112	250
PWA25113	300
PWA25114	400
PWA25115	500
PWA25116	600



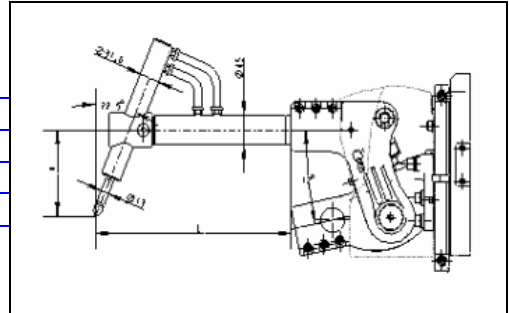
Straight Arms with 90° vertical stem type holder

PWA25124	250
PWA25125	300
PWA25126	400
PWA25127	500
PWA25128	600



Straight Arms with 15° angled stem type holder

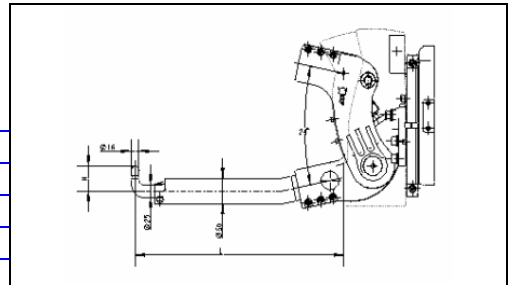
PWA25136	250
PWA35137	300
PWA25138	400
PWA25139	500
PWA25140	600



Standard Arms for "400 Series" Scissor Guns 200/250 centres

Straight Arm with 90° holders

PWA25106	250
PWA25107	300
PWA25108	400
PWA25109	500
PWA25110	600
PWA25111	700



Straight Arms with 15° angled holders

PWA25118	250
PWA25119	300
PWA25120	400
PWA25121	500
PWA25122	600
PWA25123	700

